

# Tokina Instruction Manual

**AT-X 16-28mm F2.8 PRO FX**  
**AT-X 17-35mm F4 PRO FX**

**FX** ENGLISH

This TOKINA FX Lens is designed for digital SLR cameras with full sized (24x36mm) image sensors

## Descriptions of Parts

- |                        |                              |
|------------------------|------------------------------|
| 1 Manual Focusing Ring | 6 Center Index               |
| 2 Focus Distance Scale | 7 Auto Focus (AF) Position   |
| 3 Focus Distance Index | 8 Manual Focus (MF) Position |
| 4 Zoom Ring            | 9 Hood Attachment Index      |
| 5 Focal Length Scale   |                              |

16-28mm F2.8 PRO FX  
TO FIT NIKON Digital

17-35mm F4 PRO FX  
TO FIT NIKON Digital



## How to Attach/Detach the lens

Please follow the instructions provided with your camera to attach and detach the lens to and from the camera

\* When attaching/detaching the lens, be careful not to touch the electronic contacts nor crush these contacts with strong force or impact.

## Focusing

The lens is normally focused automatically when the focus mode switch is set to the Auto focus position. If the camera is in the manual-focus mode, adjust the focus by looking into the finder and turning the manual focus ring. The lens also supports focusing through the use of focusing aid.

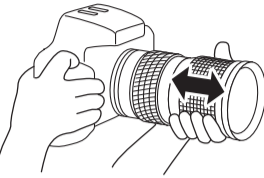
## Exposure Modes

For the exposure mode settings, follow the applicable instructions provided in your camera's manual.

## One-Touch Controllable Focus-Clutch Mechanism

<How to switch from the Auto focus position to manual focus position>  
The lens focus mode can be switched between the Auto focus (AF) and manual focus (MF) Positions at any time by moving the manual focus ring forward and backward.

\* For both Nikon and Canon mounted lenses, it is possible to use manual focus without switching the focus mode switch on either the camera body or the lens to the manual position. In the Auto focus position the manual focus ring turns freely.



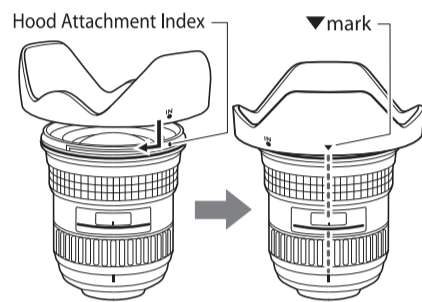
## Lens Hood

A lens hood is designed to prevent the flares and ghost images that are caused by strong diagonal or side rays striking the front of the lens. We recommend that you use a lens hood to ensure clear, problem-free photographs and protect the lens.

<How to attach the lens hood>

To securely install the hood, align the IN mark on the hood with the hood attachment indicator (●) on the lens, and then turn the hood clockwise, as viewed from the front, until a click is heard.

Confirm that the ▼ mark on the hood is aligned with the center index on the lens.



## Caution Regarding Use of a Built-In Flash

If the camera's built-in flash is used, the light of the built-in flash will be partially obstructed by the lens, which casts a large shadow area. Therefore, it is recommended to use an external when using this lens.

## Flash Photography (Red-eye phenomenon)

When people are photographed with the aid of a flash, their eyes sometimes become red. This is called the "red-eye phenomenon". Follow the manual of your camera for information on how to remove red eye.

## Rotating course of the focus ring

It is just same as the rotating course of Nikon and Canon lenses.

\* Depending on the lens itself, a sound may be heard from inside the lens when the lens is shaken lightly. This is the sound of the ball bearings that are designed to smooth the movement of the focus ring. It does not indicate a problem with the general functioning of the lens

## Performance Table

Model	16-28mm F2.8 PRO FX	17-35mm F4 PRO FX
Focal distance	16 - 28 mm	17 - 35 mm
Depth of field	F2.8	F4
Format	24 x 36 mm Full size exclusive for digital cameras	
Minimum aperture	F22	F22
Optical structure (elements/groups)	15-13	13-12
Coating	Multi-coating	
Angle of view	107.11 - 76.87	103.96 - 64.74
Filter size	Cannot be attached	82mm
Minimum focus distance	0.28 m	
Maximum macro Magnification	1 : 5.26	1 : 4.82
Focusing system	Front Inner Focusing	
Number of aperture Diaphragms	9	
Maximum diameter	90.0 mm	89.0 mm
Overall length	133.3 mm	94.5 mm
Weight	950 g	600 g
Hood	Fixed lens hood	BH-821

\* The specification data is based on the use of the lens with a Nikon camera.

\* The "CE" mark (certification mark for conformance with the European export inspection requirements) is shown on lenses containing electronic parts.

# 圖麗鏡頭

使用說明書

**AT-X 16-28mm F2.8 PRO FX**  
**AT-X 17-35mm F4 PRO FX**

**FX** 中國語

此TOKINA FX 鏡頭是專為全幅數位單眼相機之影像感測器所設計的。

## 部品名稱

- |          |           |
|----------|-----------|
| 1 手動對焦環  | 6 中央指標    |
| 2 對焦距離刻度 | 7 AF位置    |
| 3 對焦距離指標 | 8 MF位置    |
| 4 變焦環    | 9 遮光罩裝卸指標 |
| 5 焦距刻度   |           |

16-28mm F2.8 PRO FX  
TO FIT NIKON Digital

17-35mm F4 PRO FX  
TO FIT NIKON Digital



## 鏡頭的裝卸方法

關於鏡頭的裝卸，請參照相機廠家的使用說明書。

※裝卸時請注意不要觸摸或碰觸與機身接觸面的電子接點

## 對焦

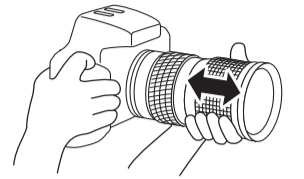
將機身側面的自動/手動互換鈕推至AF位置，機身即會自動對焦。手動對焦時，一邊瞄取景器，一邊調節手動對焦環。這支鏡頭亦可通過對焦輔助裝置進行調焦。

## 鈕式對焦切換裝置

(從AF位置到MF位置的切換方法)

在手動對焦環的任何位置，對其前後推拉，即可切換AF與MF。

※尼康及佳能卡口，即使不將機身或鏡頭側面的選擇鈕推到手動位置，也可進行手動操作。而在自動位置，手動對焦環可自由回轉。



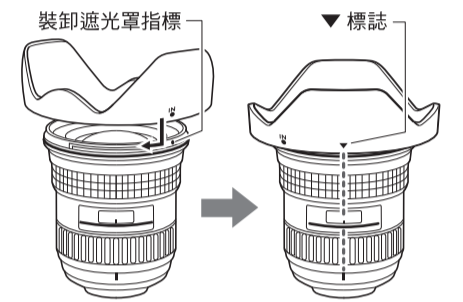
## 遮光罩

遮光罩是設計來避免鏡頭前方的強光或側面的雜散光線射入，而引起照片產生霧化和出現鬼影散像。為保證拍攝到顏色鮮明和影像清晰的照片，亦為保護鏡頭和保持鏡片清潔，建議你經常使用遮光罩。

## <如何安裝遮光罩>

穩固安裝遮光罩，將遮光罩上的(●)標誌對準鏡頭上裝卸遮光罩(●)的標誌，然後順時針轉動遮光罩直至聽到卡聲鎖緊為止。

確認正確安裝，可以從鏡頭前端觀察遮光罩上的▼是否與鏡頭上中央指標。



## 使用內置式閃光燈的注意事項

使用內置式閃光燈攝影時，一部分光線會被鏡頭遮住，鏡頭的黑影將出現在畫面上。因此，近距攝影時請使用附加閃光燈。

## 閃光燈攝影(紅眼現象)

用閃光燈進行人物拍攝時，有時會產生紅眼現象。解決辦法，請參照各廠家相機機身使用說明書。

## 旋轉聚焦環

和Nikon 與 Canon 相同的旋轉方式時。

※有些鏡頭，在拿起輕輕晃動時，會出現響動。這是為使變焦環動作平緩圓滑，內部裝置的球形軸承發出的聲響。對一般攝影沒有影響。

## 產品性能表

機種	16-28 mm F2.8 PRO FX	17-35 mm F4 PRO FX
焦距	16 - 28 mm	17 - 35 mm
最大光圈	F 2.8	F 4
適用機型	24 x 36 mm 全幅數位相機	
最小光圈	F 22	
鏡片結構	13群/15枚	12群/13枚
鍍膜	多層鍍膜	
視角	107.11- 76.87	103.96- 64.74
濾鏡尺寸	無法附加	82 mm
最小焦距	0.28 m	
最大放大倍率	1 : 5.26	1 : 4.82
對焦系統	前內對焦	
光圈葉片	9	
直徑	90.0 mm	89.0 mm
總長度	133.3 mm	94.5 mm
重量	950 g	600 g
遮光罩	固定鏡頭遮光罩	BH-821

※上述數據均為採用尼康相機測試之結果

Tokina www.tokinale.com

Kenko Tokina Co., Ltd.

3-9-19 Nishi-ochiai, Shinjuku-ku, Tokyo 161-8570, Japan